

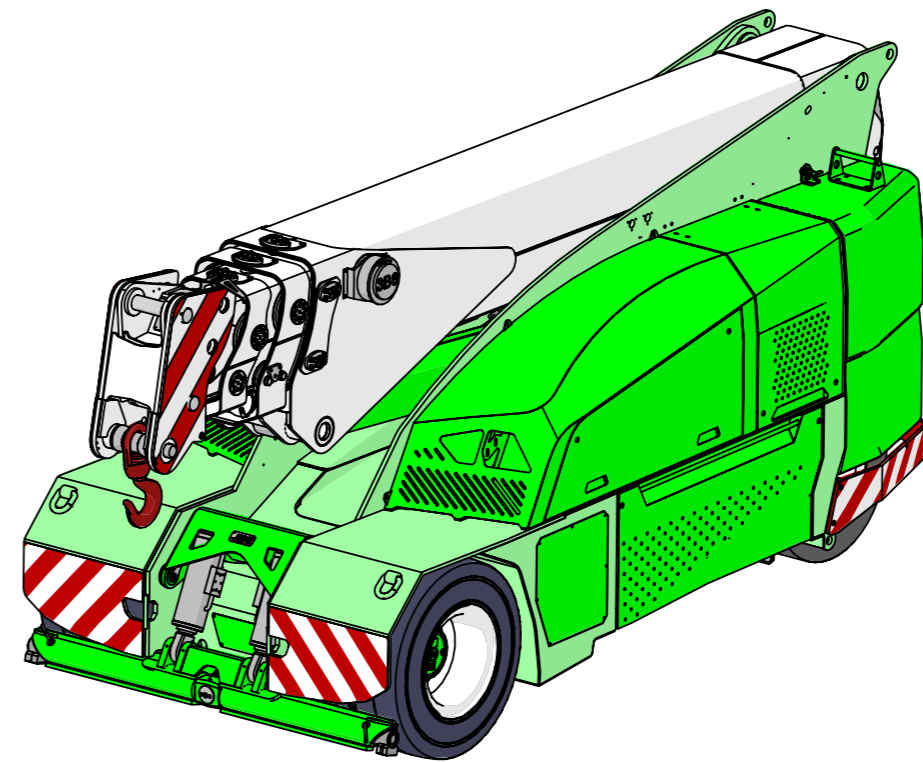
Data subject to change without prior notice
Edition 12/2019 © 2019 JMG Cranes S.p.A. All rights reserved



Electric Pick & Carry Cranes

JMG Cranes S.p.A.

Via Sito Nuovo 14
29010 Sarmato (PC) - Italy
t +39 0523 8486
e info@jmgcranes.com



MC 130S (metric)
Max Capacity 13,000 Kg

www.jmgcranes.com



MC 130S

RADIO-REMOTE CONTROL ON DRIVING, STEERING, BOOM MOVEMENTS, WINCH AND ACCESSORIES

FRONT-WHEELS DRIVE WITH COUNTER ROTATION

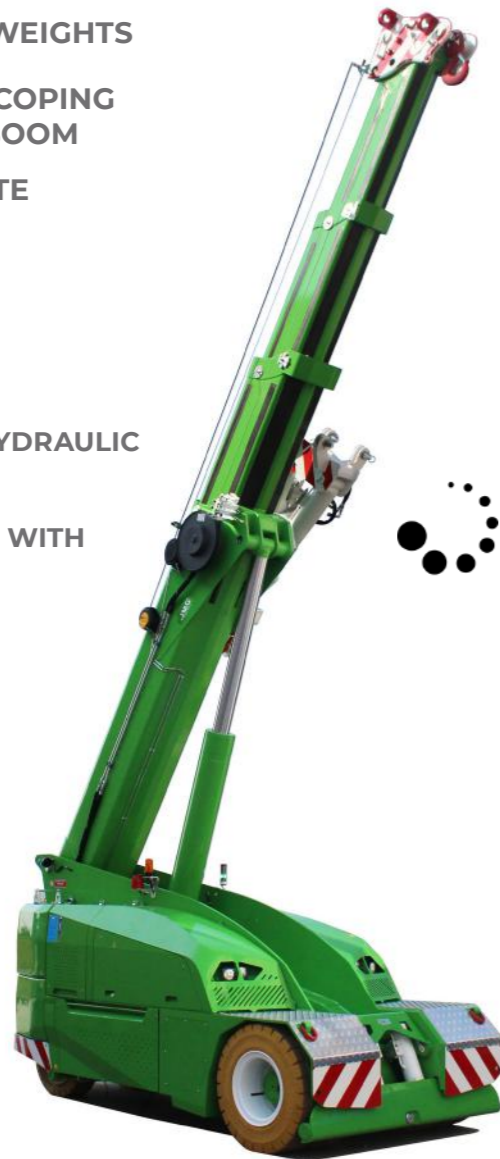
REMOVABLE COUNTERWEIGHTS

HYDRAULICALLY TELESCOPING PROPORTIONAL TYPE BOOM

FRONT STABILISER PLATE

Options :

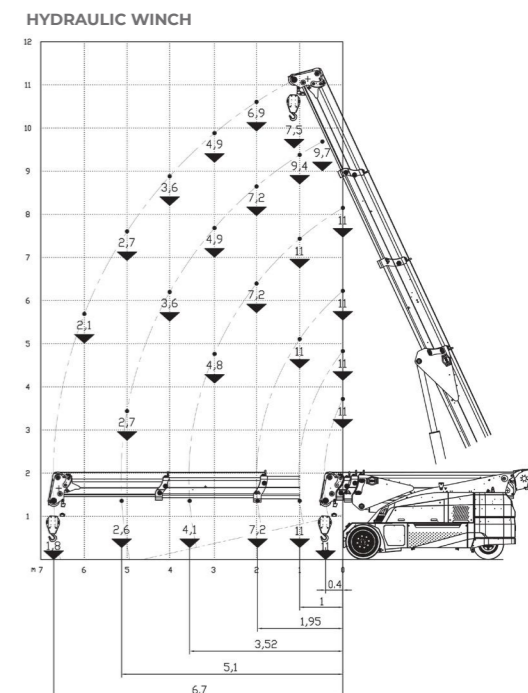
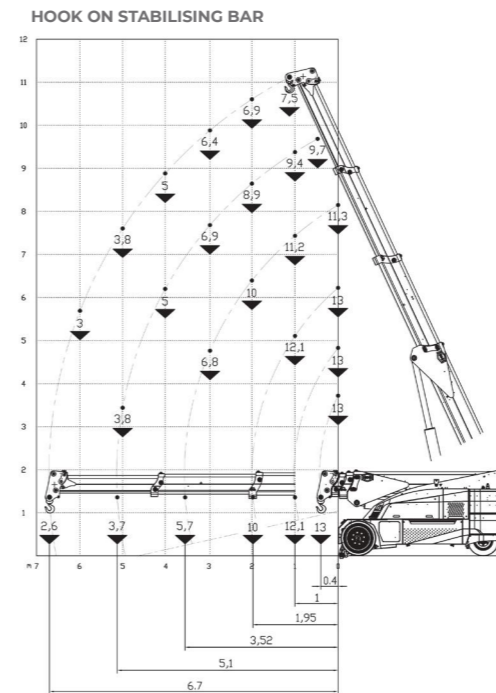
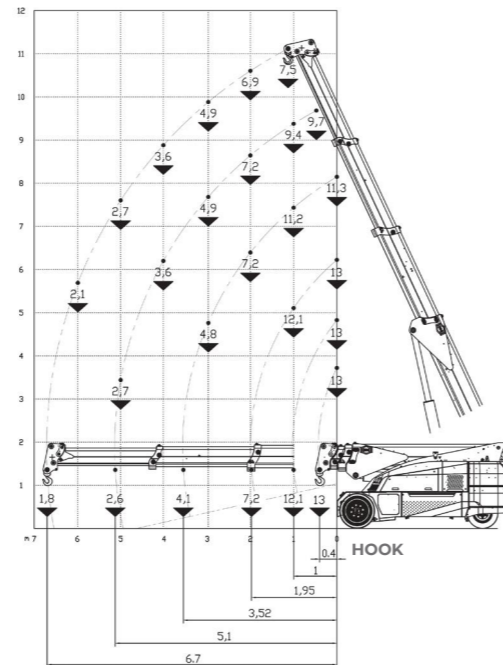
- HYDRAULIC WINCH
- HYDRAULIC JIB WITH HYDRAULIC EXTENSION
- BENDABLE MANUAL JIB WITH MANUAL EXTENSION
- NON-MARKING TIRES
- HYDRAULIC FORKS
- MAN BUCKET
- ATEX CONVERSION
- CUSTOMIZED PAINTING



Technical features

Max Capacity kg	13,000	Front-wheels drive. 2 electric motors AC 8,5 kW 80V Insulation class H	LMI Electronic safe load indicator and tilting moment limiter
	Dimensions mm	Total Kg. 14,000 Removable counterweights Kg. 4,000	Automatic braking system on all wheels
Dimensions mm		80 V - 900 Ah 8 working hours	Fabricated from preformed and welded quality steel plate
	Dimensions mm	Front nr. 4 superelastic 300-15" Rear nr. 2 superelastic 200-15"	+65°/-10°
Dimensions mm		Rear Steering angle -90°/+90°	Motor driven pump 23 kW - 80 V AC, Insulation class H

Load charts



EU Standards CE

	UNI ISO 4030-1: A3
	2006/42 CE MD-2014/30 CE EMC - 2014/35 CE LVD - 2000/14 e and subsequent modifications
	EN 13000:2014 UNI ISO 4301-2:2011 and subsequent modifications



Dimensions

